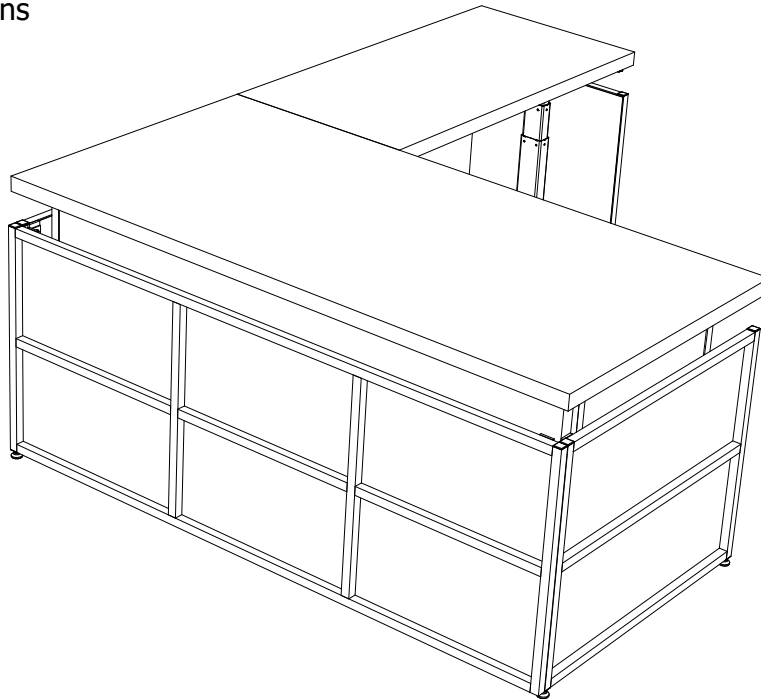


KNIGHT L-SHAPE DESK

Assembly Instructions



Thank you for your purchase!

Iron Age Office furniture is uniquely and individually fabricated. For this reason, your furniture is pre-assembled and labeled before shipping. Labels are marked on the underside of the furniture. The furniture is then deconstructed prior to shipping. Pieces that uniquely correspond can typically be found on the same pallet.

Assembly is best completed by keeping the pieces that correspond together. Clear your work area of anything that could scratch furniture surfaces. If possible, cover your work area with a clean, soft blanket. Carefully flip any wooden tops over and inspect the bottom sides for markings. Match legs, flat brackets, etc. to the appropriate labels.

If you need further assistance of any kind,
please contact:

Iron Age Office Operations Manager

Henry Dover

678-725-1473 (c)

hd@ironageoffice.com

HARDWARE

Screws are shown actual size. You may receive extra hardware with your unit.

Tools Required

① 14-10 LAG BOLTS
QTY: 15



#3 Square Drive

⑧ 1/4-20 BOLT
QTY: 2



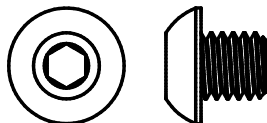
5/32 Hex Drive

⑨ 1/4-20 NUT
QTY: 2



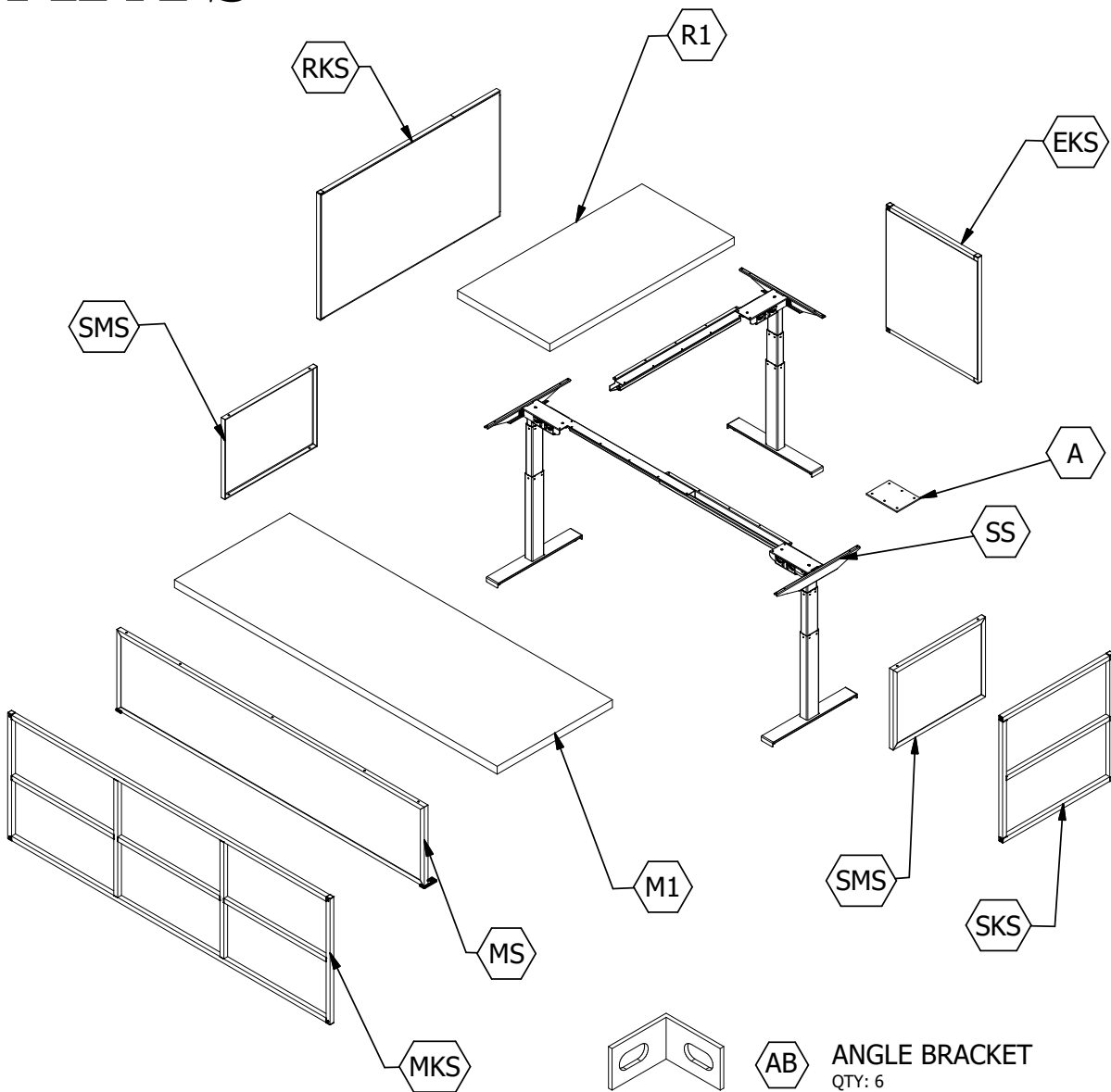
7/16 Crescent Wrench

⑪ 3/8-16 x 3/8 BOLT
QTY: 12



7/32 Hex Drive

PARTS



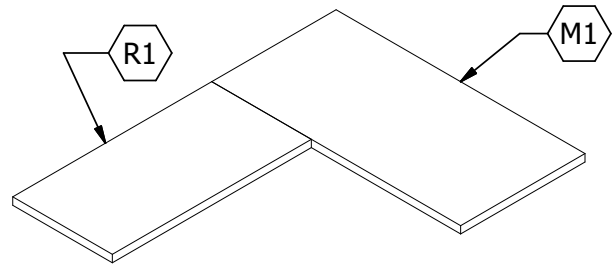
- M1** MAIN TOP
- R1** RETURN TOP
- SS** SIT STAND BASE
*Instructions and hardware included in LINAK packaging.
- MS** MODESTY SCREEN
- SMS** SIDE MODESTY SCREEN

- A** SPLICE PLATE
- MKS** MAIN KNIGHT SHELL
- SKS** SIDE KNIGHT SHELL
- RKS** RETURN KNIGHT SHELL
- EKS** END KNIGHT SHELL

ASSEMBLY

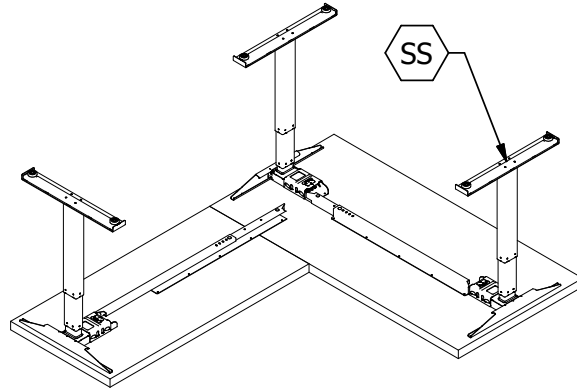
STEP 1

Place wood tops face down on a clean surface.



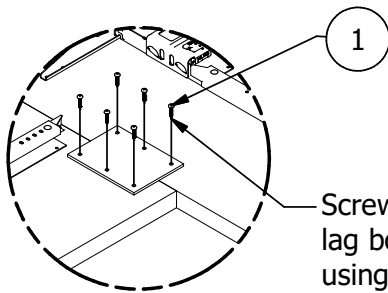
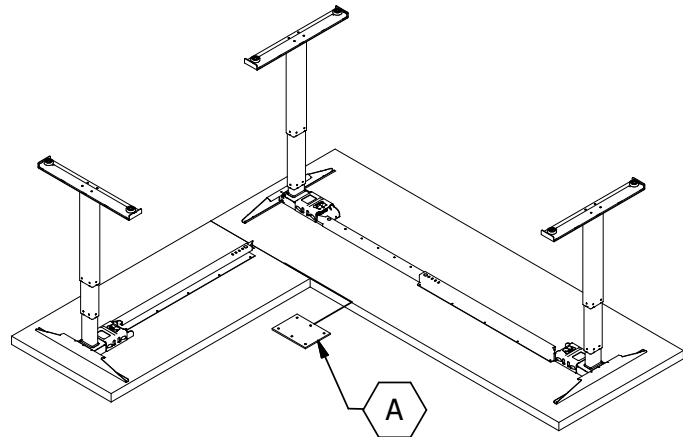
STEP 2

Assemble sit stand base according to package instructions. Align legs to wood top using markings on the underside of main top.



STEP 3

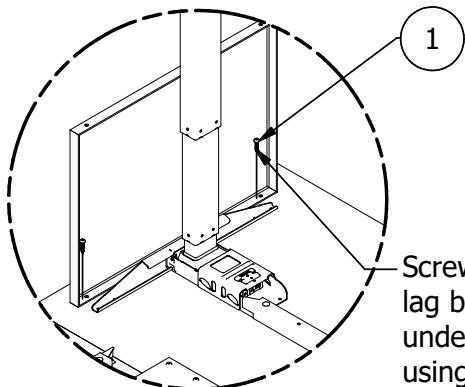
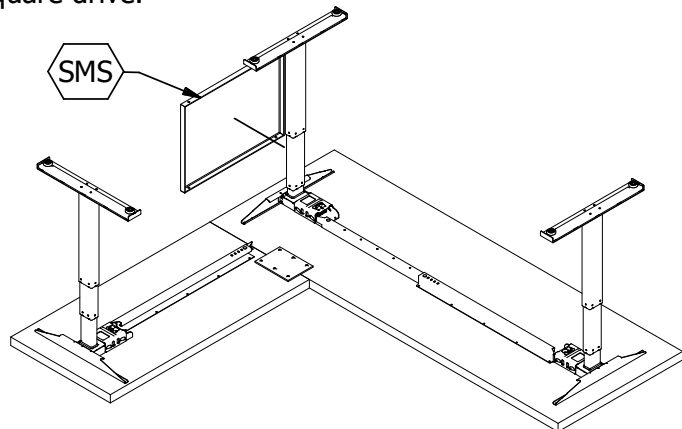
Align splice plate to main and return top using markings on the underside of top. Secure splice plate to desk with (6) lag bolts into splice plate.



Screw in (6) 14-10 lag bolts into each splice plate using a #3 square drive.

STEP 4

Align side modesty screen to main top using markings on the underside of top. Secure screen to desk with (2) lag bolts.

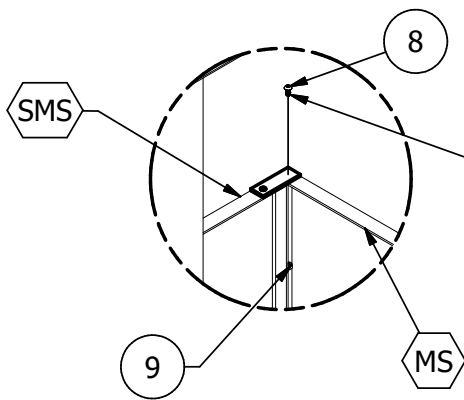
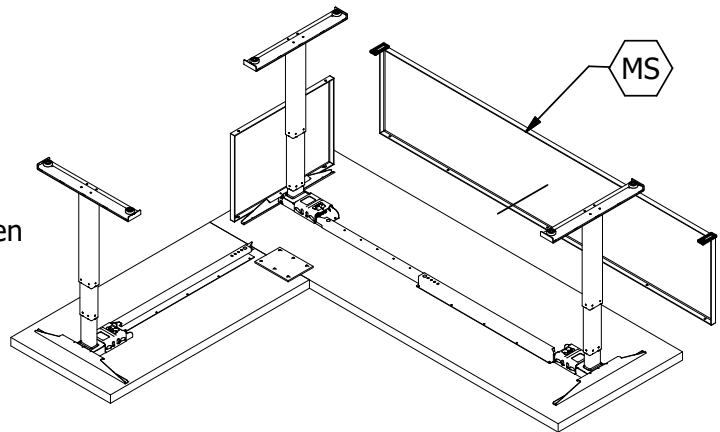


Screw in (2) 14-10 lag bolts into screen on the underside of the top using a #3 square drive.

ASSEMBLY

STEP 5

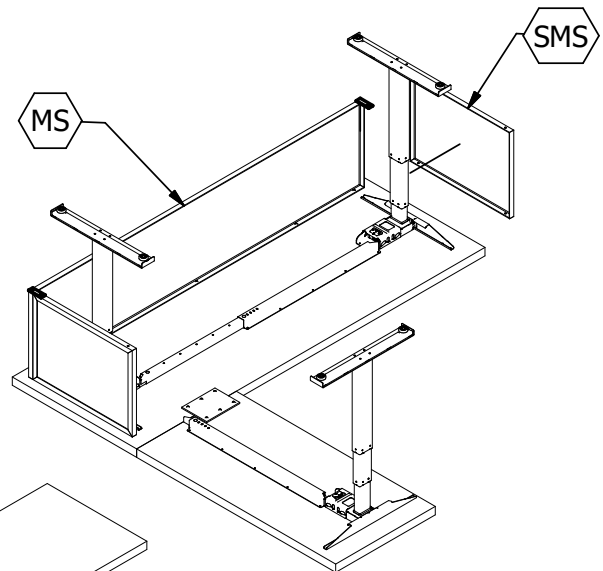
Align main modesty screen to main top using markings on the underside of top. Secure screen to desk with (5) lag bolts using a #3 square drive. Secure main screen to side screen with 1/4-20 bolt and nut.



Secure main screen to side screen with (1) 1/4-20 bolt using a 5/32 Hex Drive. Secure bolt with (1) 1/4-20 nut using a 7/16 Crescent Wrench.

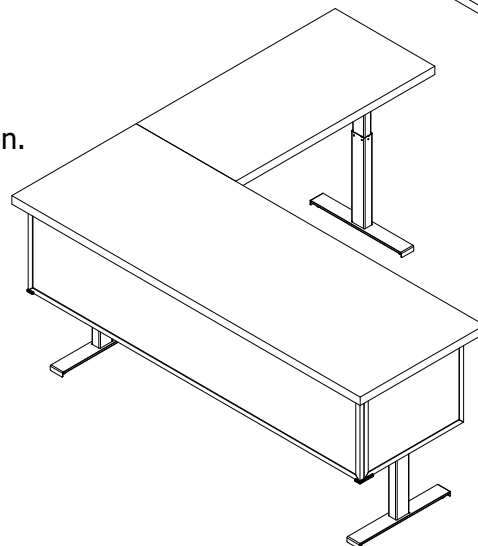
STEP 6

Align side modesty screen to main modesty screen and top using markings on the underside of top. Secure screen to main top with (2) lag bolts. Secure side screen to main screen with 1/4-20 Bolt and Nut like step 5.



STEP 7

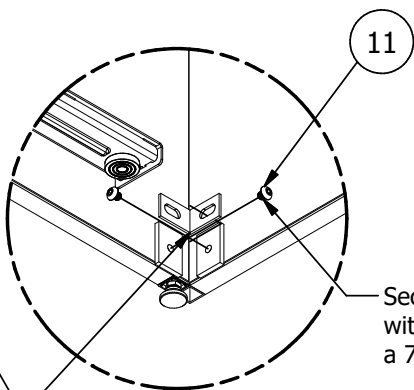
Flip desk to an upright position.



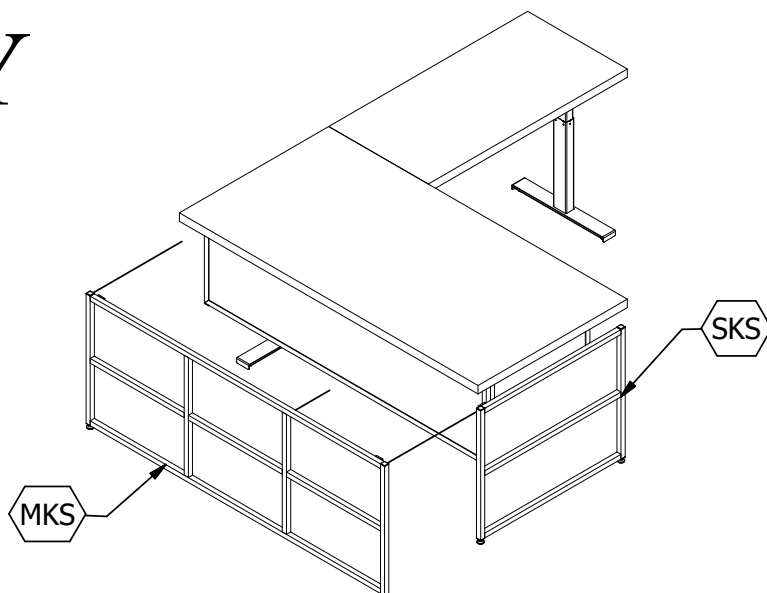
ASSEMBLY

STEP 8

Align main and side knight shells to desk.

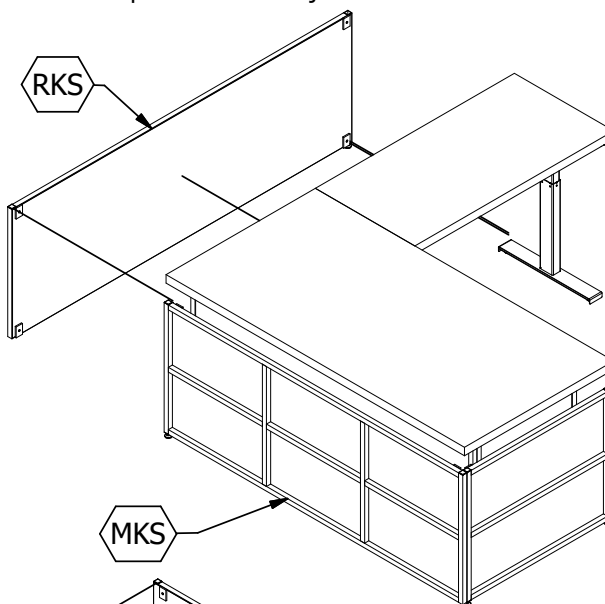


Secure main shell to side shell with angle bracket and (2) 3/8-16x3/8 bolts using a 7/32 Hex Drive at the top and bottom of joint.



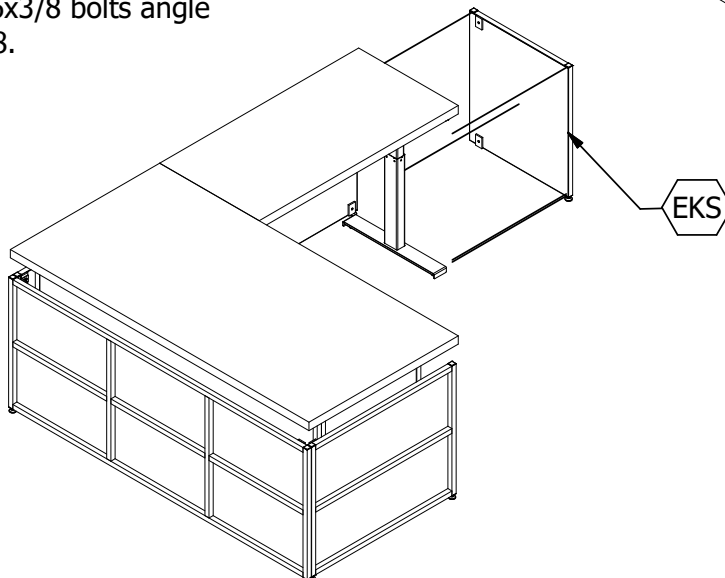
STEP 9

Align return shell to main shell and secure with 3/8-16x3/8 bolts and angle brackets like step 8.



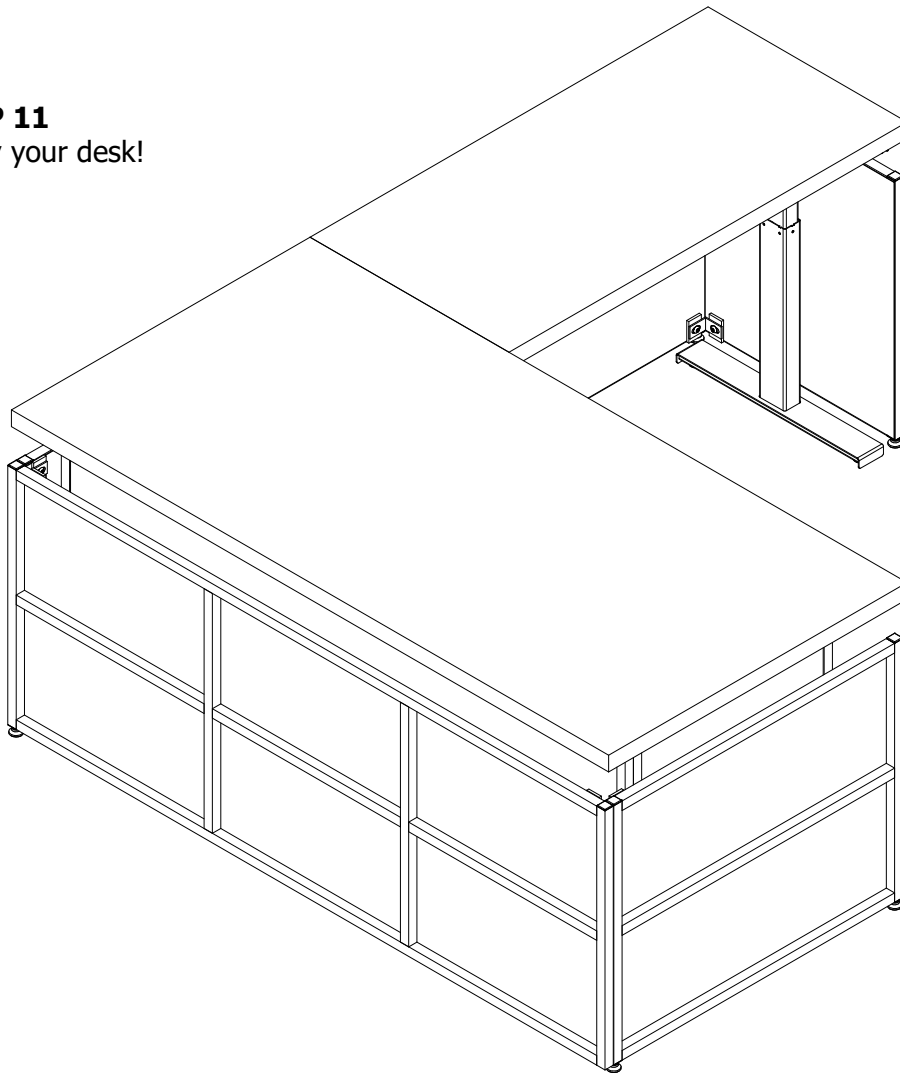
STEP 10

Align end shell panel to return shell. Secure with 3/8-16x3/8 bolts angle brackets like step 8.



ASSEMBLY

STEP 11
Enjoy your desk!



CARE INSTRUCTIONS

To care for either wooden or metal surfaces of Iron Age Office products, gently wipe with a soft cloth dampened with water and a mild dishwashing liquid. Once satisfied, dry with a soft cloth.