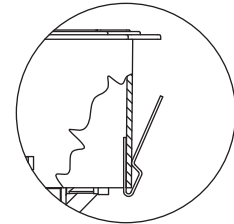
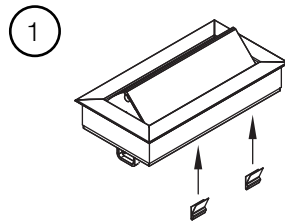
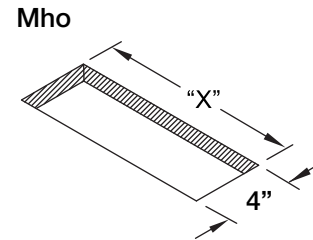


BYRNE

INSTALLATION INSTRUCTIONS FOR MHO®

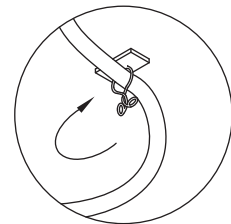
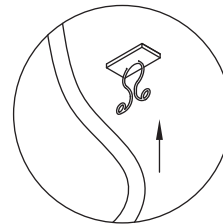
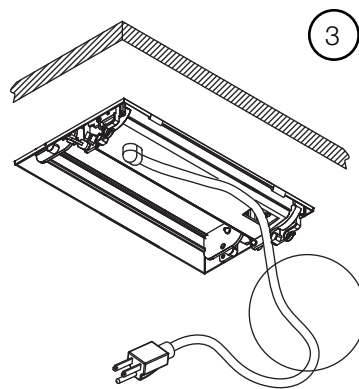
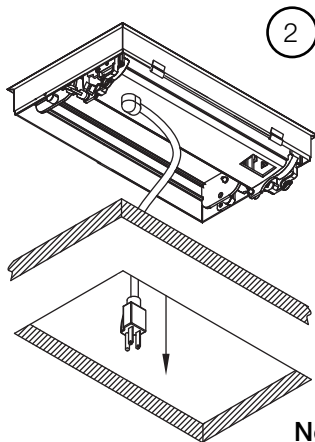
Install data jacks as described in the installation instructions provided with data adapters, BE03655

Mho		"X" Dim.
BE01820-M	2 Windows	5"
BE01820-M	3 Windows	6-1/2"
BE01820-M	4 Windows	8"
BE01820-M	5 Windows	9-1/2"
BE01820-M	6 Windows	11"
BE01820-M	7 Windows	12-1/2"
BE01820-M	8 Windows	14"



Attach 2 clips, one at each end on back of unit base.

Note: Metal clips are for use in hard surface material only as an optional mounting means



Note: In a conduit application, conduit should be supported according to local code. When managing conduit and cabling exiting the unit, ensure there is adequate slack to allow unit to open properly

